


FreeSpeak II 1.9GHz Beltpack

FreeSpeak II Wireless Solutions



Linking
People
Together



FreeSpeak II 1.9 GHz Beltpack

Key Features and Benefits

- Typical indoor range 300ft (90m), outdoor range 800ft (240m)
- 1.9 and 2.4GHz beltpacks operate on a single system
- Up to 65 – 90 beltpacks on a single system
- Encoder Volume Swap between A&C and B&D
- “Listen Again” message replay
- Simple 2-channel partyline operation to 5-channel intercom on the same beltpack
- Over-the-air beltpack registration
- 18+ hour battery life or USB port for continuous operation
- XLR-4M headset connector
- IP-53 rating for wet and dusty conditions
- Built-in flashlight

FreeSpeak II is a high performance wireless solution operating in the 1.9 and 2.4GHz frequency bands designed for extensive communication in large-scale operations.

Description

The FSII-BP19 is a rugged, water-resistant beltpack that operates in the ISM license-free 1.9GHz frequency range. Featuring the “Clear-Com Sound”, the FSII-BP19 has high audio bandwidth for superior intelligibility and listening comfort.

Operation

The FSII-BP19-X4 can connect to the FreeSpeak II base station or to Eclipse HX card frame matrices using the E-QUE-HX interface card. FSII-BP19 users can roam seamlessly between FSII-TCVR-19 or FSII-TCVR-IP-19 antennas over wide areas. The “Listen Again” feature allows users to replay earlier commands, eliminating the need to repeat communication or disturb productions. Volume Swap allows for independent level control on channels A, B, C, and D listens.

Increase System Size

The FSII-BP19 can be mixed with FSII-BP24 beltpacks on the same system, increasing the quantity of beltpack users in a single radio space. When using the FSII-TCVR-19 antennas, in the US, up to 25 1.9 GHz and 40 2.4 GHz beltpack users can operate on a single system, while the rest of the world can have up to 50 1.9 GHz and 40 2.4 GHz beltpack users in the same radio space. When using the FSII-TCVR-IP-19 antennas, in the US, up to 50 1.9 GHz beltpack users can operate on a single system, while EU countries can have up to 641.9 GHz beltpack users in the same radio space.

Durability

The FSII-BP19 is IP-53 rated for wet weather or dusty conditions making them ideal for outdoor productions. For better grip and protection, the beltpack has a rubberized over-mold to protect from the most rugged environments.

Battery

Using the BAT60 Li-Ion battery, the FSII-BP19 has 18+ hours of battery life. Using an alternative set of 3 AA cells, the battery life is 6-9 hours. The beltpacks also include an USB charging port for recharging or for continuous powered transmissions.

FreeSpeak II 1.9GHz Beltpack

FreeSpeak II Wireless Solutions

Technical Specifications

Audio

Audio Bandwidth: 200Hz-7.5KHz

No. of Full-Duplex Audio Paths: Up to 5 with individual level control (2 dedicated rotaries, 3 with menu), 2 controls and a main volume

Mode of Operation: Full duplex on all routes

Level/Talk Controls: 4 pushbuttons, a reply button and 2 rotary controls

Enter/Answer-Back Button: 1

Radio

Frequency Spectrum: 1.88-1.93MHz for EU and US cellular auto roaming technology (frequency allocation varies by country)

Modulation: GFSK, TDMA frame 10ms Full and Long slot

Output power: (EU) 18-22dBm, (US) 18-20dBm

Range: Typical indoor range 300ft (90m), outdoor range 800ft (240m)

Battery: Li-Ion or 3 AA alkaline cells

Battery Charging: Drop-in charger (AC60) or local USB

Battery Life: 18+ hours with Li-Ion; 9 hours with 3 x Alkaline AA cells

Headset Connector: 4-pin male, Clear-Com standard, options for 5-pin female and 7-pin male with PTT

Microphone Type: Electret and Dynamic, selectable in beltpack menu

Headset Limiter: Selectable from beltpack menu

Environmental

IP-53 water and dust resistance

Operating: 32°-125°F (0°-50°C)

Storage: 32°-150°F (0°-70°C)

Humidity: Between 20% and 90%, Non-Condensing

Dimensions

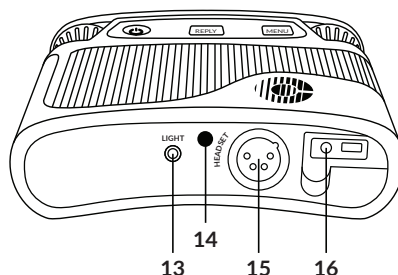
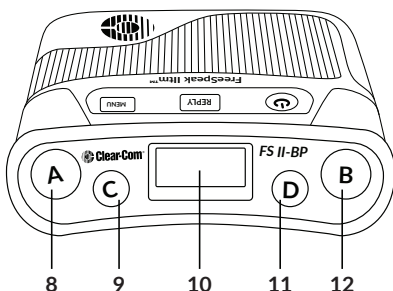
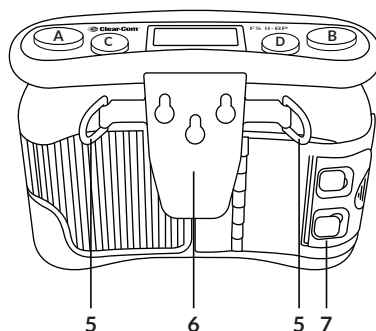
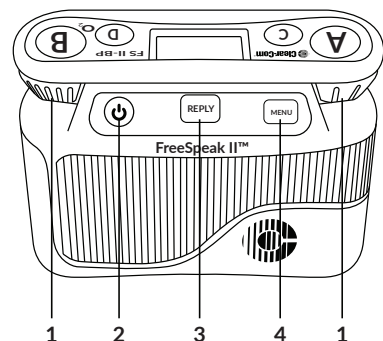
Tapered design at largest points

3.75 x 5 x 1.5 in (HxWxD)

(97 x 130 x 45 mm)

Weight

9.0 oz (0.4kg) including batteries



Legend

1. Volume Control
2. Power Button
3. Reply Button
4. Menu Button
5. Shoulder Strap Hook
6. Belt Clip
7. Battery Door
8. Channel A
9. Channel C
10. LCD
11. Channel D
12. Channel B
13. Flashlight
14. Flashlight Switch
15. Headset Connector
16. USB and Audio Jack Connectors

Order Codes

FSII-BP19-X4-US: Beltpack with XLR-4M headset connector, approved for use in USA and Canada

FSII-BP19-X5-US: Beltpack with XLR-5F headset connector, approved for use in USA and Canada

FSII-BP19-X7-US: Beltpack with XLR-7M headset connector, approved for use in USA and Canada

FSII-BP19-X4-EU: Beltpack with XLR-4M headset connector, approved for use in the EU

FSII-BP19-X5-EU: Beltpack with XLR-5F headset connector, approved for use in the EU

FSII-BP19-X7-EU: Beltpack with XLR-7M headset connector, approved for use in the EU

FSII-BP19-X4-B: Beltpack with XLR-4M headset connector, approved for use in Brazil

FSII-BP19-X5-B: Beltpack with XLR-5M headset connector, approved for use in Brazil

FSII-BP19-X4-L: Beltpack with XLR-4M headset connector, approved for use in Argentina

FSII-BP19-X5-L: Beltpack with XLR-5M headset connector, approved for use in Argentina